

# AMTRON<sup>®</sup>

## XTRA E/R, PREMIUM E/R

WALLBOX FOR ELECTRIC VEHICLES



MENNEKES AMTRON<sup>®</sup> designed for private and semi-public use

# Variants

|  |  |  |  |
|--|--|--|--|
|  |  | RFID system  | RFID system  |
|  | Personal protection                                    |  | Personal protection                                    |
| Calibrated digital energy meter                        | Calibrated digital energy meter                        | Calibrated digital energy meter                        | Calibrated digital energy meter                        |
| Charged energy quantity can be read out via charge APP | Charged energy quantity can be read out via charge APP | Charged energy quantity can be read out via charge APP | Charged energy quantity can be read out via charge APP |
| Statistic function via Charge APP                      | Statistic function via Charge APP                      | Statistic function via Charge APP                      | Statistic function via Charge APP                      |
| Charge APP via LAN / WLAN                              | Charge APP via LAN / WLAN                              | Charge APP via LAN / WLAN                              | Charge APP via LAN / WLAN                              |
| LED status display<br>Stop button                      | LED status display<br>Multifunction button             | LED status display<br>Stop button                      | LED status display<br>Multifunction button             |

## Xtra E

## Xtra R

## Premium E

## Premium R

### Charging socket type 2 with hinged lid

| Order no.                  | Order no.            | Order no.                  | Order no.  |
|----------------------------|----------------------|----------------------------|--|
| <b>11 /22 kW *</b> 1354401 | <b>11 kW</b> 1354451 | <b>11 /22 kW *</b> 1355451 | <b>3,7 /7,4 kW *</b> 1355400<br><b>11 kW</b> 1355401 |

### Charging socket type 2 with shutter (version „T2S“)

| Order no.  | Order no.   | Order no.                  | Order no.  |
|--|---|----------------------------|--|
| <b>3,7 /7,4 kW *</b> 1354600<br><b>11 /22 kW *</b> 1354601 | <b>3,7 /7,4 kW *</b> 1344680<br><b>11 / 22 kW *</b> 1344681 | <b>11 /22 kW *</b> 1355601 | <b>3,7 /7,4 kW *</b> 1345680<br><b>11 kW</b> 1345681 |




### 7,5 meter permanently connected charging cable with connector type 2 (version „C2“)

| Order no.                                     | Order no.            | Order no.            | Order no.            |
|---|----------------------|----------------------|----------------------|
| <b>7,4 kW</b> 1354203<br><b>22 kW</b> 1354202 | <b>22 kW</b> 1354252 | <b>22 kW</b> 1355252 | <b>22 kW</b> 1355202 |

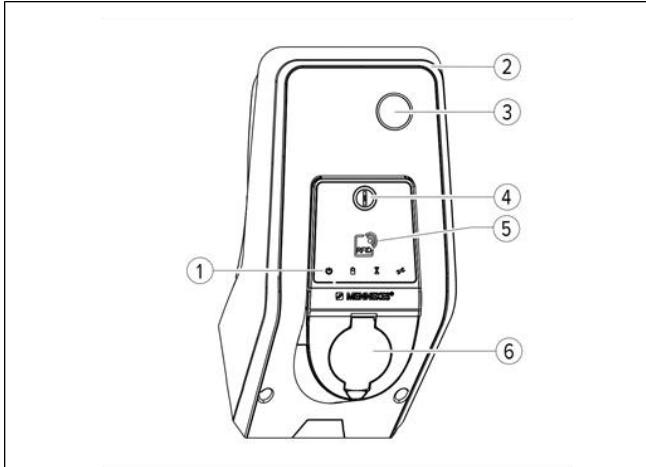


\*If AMTRON is configured to more than 20A via the dip switches, all charging cables with less than ≤ 20A are rejected, which means that charging cannot be carried out. In this state only 32A cables are accepted.

# Product features

- Overall
  - Mode 3 charging acc. to IEC 61851
  - Vehicle connectors and charging socket acc. to IEC 62196
  - Charging capacity up to 22kW, configurable by qualified personal
  - Unlocking function in case of grid failure (for devices with charging socket type 2)
  - Status information through LED info bar
  - Integrated cable suspension
- Authorisation
  - RFID authorization via local whitelist (up to 98 users) (only for Premium devices)
  - Whitelist management for RFID-cards
- Communication
  - Integration in the home network via LAN acc. to IEEE 802.3u (100BaseTX) and WLAN acc. to IEEE 802.11b, g, n (2,4 GHz)
  - RS485 interface for wired networking with a MENNEKES eMobility Gateway (only for Premium (E/R) devices)
  - Connection of intelligent energy management systems via Modbus TCP or SEMP
- Charge APP (download for free)
  -   
  - Authorization and visualization of charging processes
  - Display of the charged amount of energy and the energy costs
  - Data export of charging processes (file format: pdf and csv)
  - Operation modes: APP-control, time-controlled (internal), external tariff signal, Energy Manager
- Multifunction button
  - Stop function (adjustable parameters; deactivated by default)
  - RCD test (only with integrated RCD)
  - Re-activating of RCD (only with integrated RCD)
- Enclosure
  - Enclosure made of AMELAN®

# Assembly

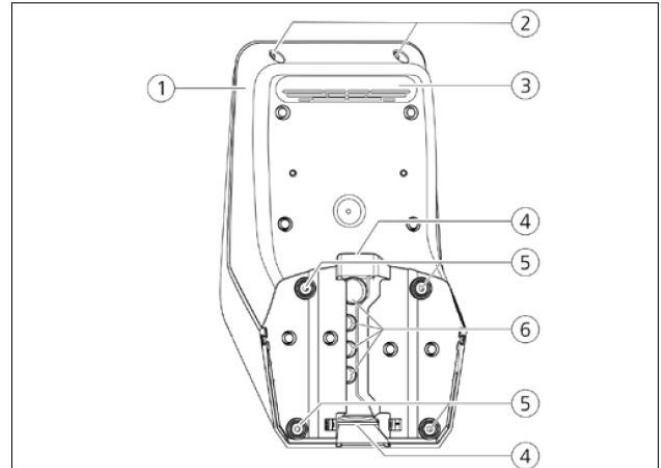
**Frontansicht**


1. LED Info bar
2. Upper enclosure section
3. Inspection window for energy meter
4. Multifunction button or stop button<sup>1)</sup>
5. RFID card reader<sup>2)</sup>
6. Charging socket type 2 with hinged lid<sup>3)</sup>

1) depending on the variant

2) depending on the variant

3) depending on the variant

**Rückansicht**


1. Lower enclosure part
2. Fastening screws for upper housing part
3. Passive ventilation
4. Recess for supply line/ cable duct
5. Fastening holes
6. Cable entries

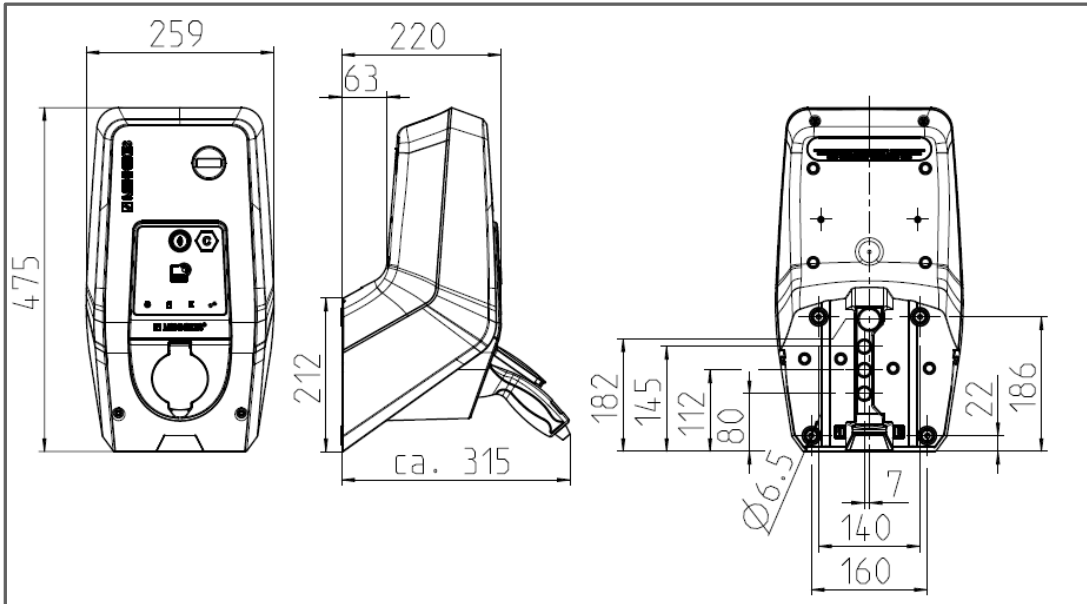
# Technical data

| Type-dependent data                            |  | AMTRON®   |                                |                               |                                |
|--|--|---|--------------------------------|-------------------------------|--------------------------------|
| Rated voltage $U_N$ [V] AC $\pm$ 10%           |  | 230   | 230                            | 400                           | 400                            |
| Rated frequency $f_N$ [Hz]                     |  | 50  |                                |                               |                                |
| Rated Current $I_{nA}$ [A]                     |  | 16  | 32                             | 16                            | 32                             |
| Max. back-up fuse [A]                          |  | According to type label/ configuration  |                                |                               |                                |
| Max. charging capacity mode 3 [kW]             |  | 3,7   | 7,4                            | 11                            | 22                             |
| Charging current Mode 3 $I_{nC}$ [A]           |  | 16 - 1 ph   | 32 - 1 ph                      | 16 - 3 ph                     | 32 - 3 ph                      |
| Terminal strip supply line                     | Number of terminals                    | 3   | 3                              | 5                             | 5                              |
|  | Rated cross section (mm <sup>2</sup> ) | rigid 3 x 6<br>flexible 3 x 4   | rigid 3 x 10<br>flexible 3 x 6 | rigid 5 x 6<br>flexible 5 x 4 | rigid 5 x 10<br>flexible 5 x 6 |
|  | Tightening torque (Nm)                 | max. 0,8  | max. 1,8                       | max. 0,8                      | max. 1,8                       |
| Rated insulation voltage $U_i$ [V]             |  | 500   |                                |                               |                                |
| Rated impulse withstand voltage $U_{imp}$ [kV] |  | 4   |                                |                               |                                |
| Rated short circuit current $I_{cc}$ [kA]      |  | 10  |                                |                               |                                |
| Rated diversity factor RDF                     |  | 1   |                                |                               |                                |
| Earth system                                   |  | TN / TT   |                                |                               |                                |
| EMC classification                             |  | A+B   |                                |                               |                                |
| Protection class                               |  | II  |                                |                               |                                |
| Degree of protection                           |  | IP 44: Permanently attached charging cable<br>IP 54: Charging socket type 2 with hinged lid |                                |                               |                                |
| Overvoltage category                           |  | III   |                                |                               |                                |
| Resistance to mechanical impact                |  | IK 10   |                                |                               |                                |
| Pollution degree                               |  | 3   |                                |                               |                                |
| Setting up                                     |  | Indoor or outdoor   |                                |                               |                                |
| Condition of installation                      |  | Stationary equipment  |                                |                               |                                |
| Usage  |  | AEVCS   |                                |                               |                                |
| Mounting method                                |  | Wall mounted  |                                |                               |                                |
| Dimensions H x W x D [mm]                      |  | 475 x 259 x 220   |                                |                               |                                |
| Weight [kg]                                    |  | 5 - 8,5   |                                |                               |                                |
| Personal protection (RCD)                      |  | 40/0,03A, 2p, type B  | 40/0,03A, 4p, type B           |                               |                                |
| Control fuse (MCB)                             |  | 6A, 2p, characteristic B  |                                |                               |                                |
| Load contactor                                 |  | 16A, 3p   | 32A, 4p                        | 16A, 4p                       | 32A, 4p                        |
| Standard                                       |  | DIN EN 61851-1, DIN IEC / TS 61439-7  |                                |                               |                                |

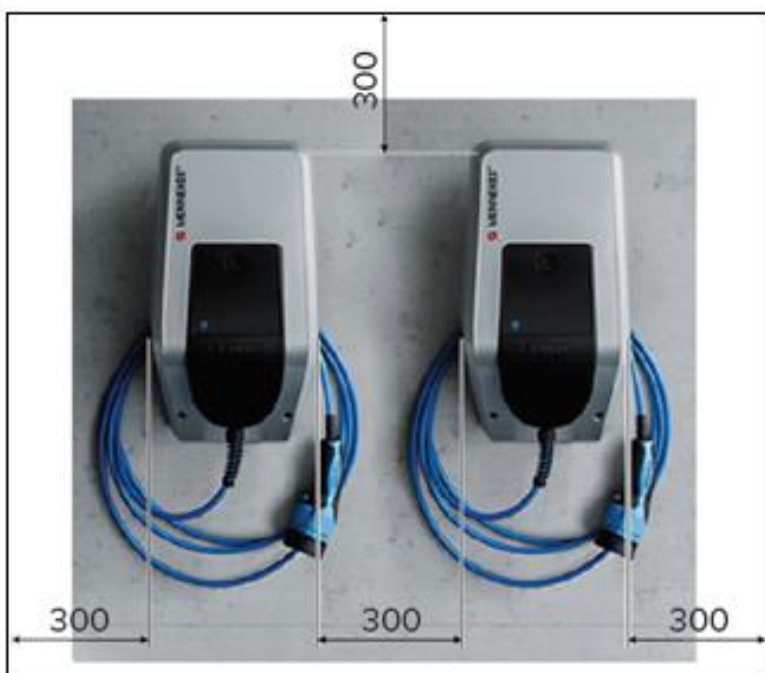
| Environmental conditions            |                            |
|-------------------------------------|----------------------------|
| Ambient air temperature             | -25...+40 °C               |
| Average temperature within 24 hours | < 35 °C                    |
| Altitude                            | Max. 2000m above sea level |
| Relative humidity                   | Max. 95 % (non-condensing) |

The device is suitable for operation on the public low-voltage network in residential, commercial and light industrial areas. In areas with their own industrial low-voltage network, measures must be taken to ensure trouble-free operation of the device in the event of interference greater than that which is usual in the residential environment.

## Dimensions [mm]



## Mounting distance [mm]





# References



Parking garage Hamburg warehouse district



Brochure „Charge up your day“

**MENNEKES**

Elektrotechnik GmbH & Co. KG

Aloys-Mennekes-Straße 1  
57399 KIRCHHUNDEM  
GERMANY

Phone: + 49 2723 41-1

Fax: + 49 2723 41-214

info@MENNEKES.de

**www.MENNEKES.com**

[www.chargeupyourday.com](http://www.chargeupyourday.com)